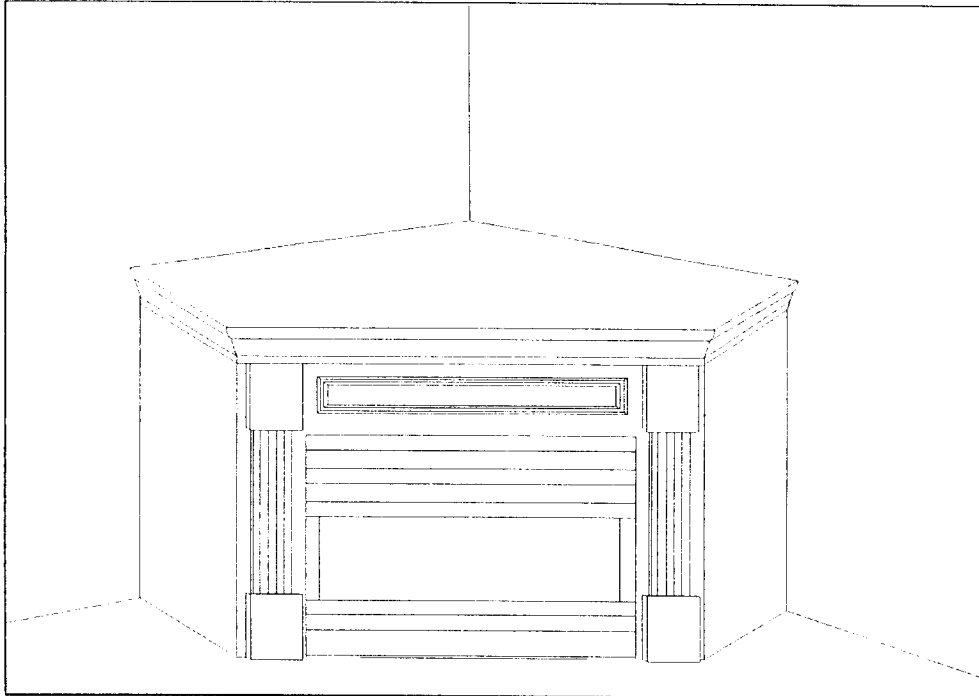


PREMIER MANTLES INC.

CORNER MANTLE ASSEMBLY INSTRUCTIONS



- READ INSTRUCTIONS COMPLETELY BEFORE STARTING
- CHECK TO MAKE SURE ALL PARTS ARE INCLUDED AND IN GOOD CONDITION BEFORE STARTING.
- DUE TO THE PROPERTIES OF WOOD, THE MANUFACTURER CANNOT BE RESPONSIBLE FOR THE QUALITY OF FINISH RESULTING FROM HOME STAINING (IF APPLICABLE).

IF UNFINISHED OAK IT MAY BE ADVISABLE TO CONSULT A PROFESSIONAL PREFINISHER BEFORE PAINTING OR STAINING.

IMPORTANT

If you are using a hearth (mantle base) with this cabinet mantle, it (base) should be in place with the fireplace properly mounted on it at this time. **The proper distance from the sheetrock wall corner intersection to the face of the fireplace is essential to the corner mantel fitting correctly.**

TOOLS NEEDED:

PHILLIPS SCREWDRIVER
STRAIGHT SCREWDRIVER
HAMMER
TAPE MEASURE
LEVEL
NAIL SET
STAINABLE/PAINTABLE WOOD PUTTY
STRAIGHT EDGE
SCREW GUN/DRILL (recommended)
1/16th Drill Bit
MOUNTING BOARDS: 4 EACH 2 x 4's - 3' LONG,
12 EACH 3" DRYWALL SCREWS,
10 EACH 8 PENNY FINISH NAILS

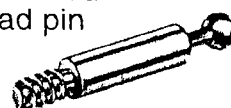
THIS BOX CONTAINS:

- TOP (1)
- LEFT LEG (1)
- RIGHT LEG (1)
- BREAST BOARD (1)

Cam Lock



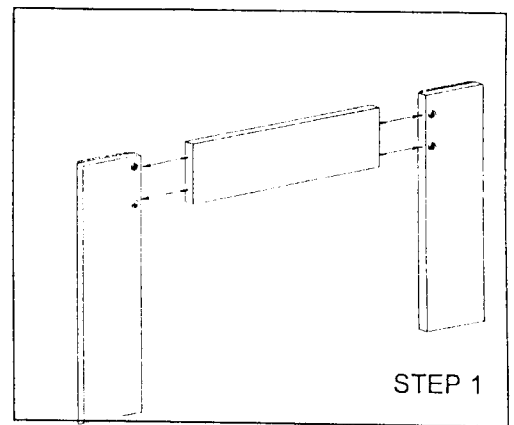
5mm wood
thread pin



STEP 1: CONNECT LEGS AND BREAST ASSEMBLY

PLEASE NOTE: In some cases, when attaching the breast to the legs of a corner mantle, the breast may cam lock into the top edge of the leg as opposed to the inside of the leg.

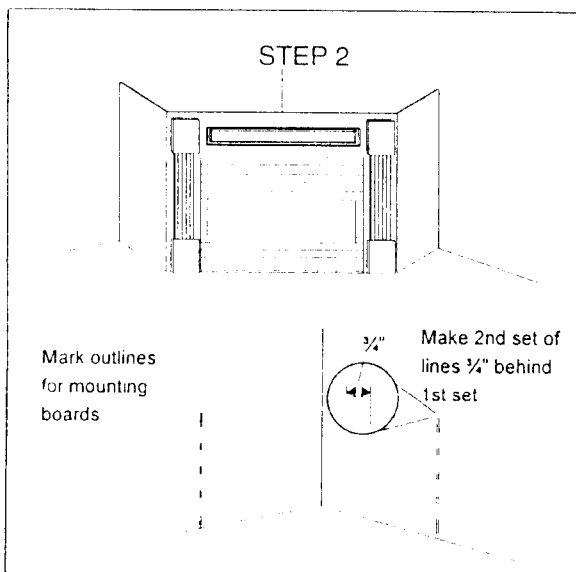
- Lay out left leg, right leg and breast board, face down.
- Insert two (2) cams into the back of each leg.
- Screw two (2) wood thread pins into each end of the breast board.
- Connect legs to breast board using cams and pins. Before inserting wood thread pin into cam, make sure arrow on the cam is pointing toward wood thread pin.
- Turn cam lock 1/2 turn clockwise to lock pins into place.



STEP 1

STEP 2: MARK MOUNTING BOARD POSITION

- Set leg and breast assembly in place in front of fireplace and push firmly against the wall.
- If face of fireplace is not centered and flush with front of leg, adjust fireplace.
- With a pencil, mark where the two leg side panels meet the wall by drawing a line from the top of the side panel to the bottom. (Make sure the assembly is tight against the wall.)
- Remove assembly from wall.
- With a straight edge, draw a second set of straight, level lines 3/4" to the inside of the first set.



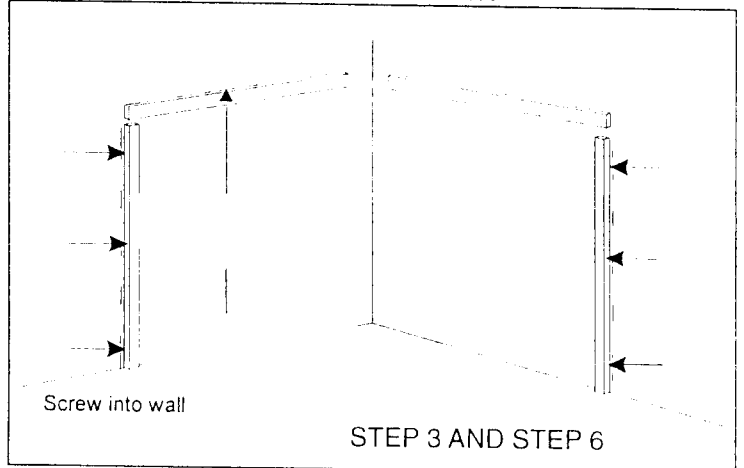
STEP 3: SECURE SIDE MOUNTING BOARDS

- Using the screws, secure the vertical mounting boards to the wall. Use 3 screws per board. One end of the mounting board should touch the floor and the outside edge of the boards should be touching the edge of the second set of lines. (See Fig.)
- One screw should be placed as close to the floor as possible. This will secure the mounting board to the floor seal.

STEP 4: INSTALL SCRIBE MOULDING

- If you are going to use the scribe moulding around the mantle opening, attach it at this time. The rounded edge of the scribe moulding should be flush with the outside edge of the mantle opening.
- Put the scribe moulding into position and nail scribe moulding to the mantle leg.
- Helpful Hint: Drill pilot holes in each scribe piece for nail positions. See figure.

SCREWING INTO WALL STUDS IS ADVISED.



STEP 5: INSTALL LEG & BREAST ASSEMBLY

- Place leg and breast assembly back into place and push firmly against mounting boards.
- With a hammer, nail set and finish nails, secure side panels to mounting boards by nailing 2" from the bottom of the side panel and at the top of the side panel into the end of the top mounting board.

You may wish to drill pilot holes for the finish nails. If so, be sure holes are of a smaller diameter than the finish nails provided. It may be preferred to nail at an angle to ensure hitting the mounting boards.

- Use a nail set to avoid damaging the leg with the hammer.

Apply colored wood putty to nail holes, then lightly sand away excess putty.

STEP 6: MARK POSITION FOR MOUNTING TOP

- Place the top shelf on the leg & breast assembly and hold firmly in place.
- Draw the outline of the top on the wall.
- Remove the top and make a second set of straight, level lines 3/4" inside the mantle outline. Continue as you did with the side mounting boards in Step 2.
- Locate wall studs for securing the horizontal mounting boards. (You can check the wall for stud location just above where the horizontal mounting boards will be placed. You can do this by lightly hammering a finish nail through the wall until you locate a wall stud. Once you locate a wall stud, remove the finish nail and circle that hole.)

STEP 7: INSTALL TOP

- Nail top to mounting boards with finish nails. (You may wish to drill pilot holes.)
- Make sure top is pushed firmly into corner.
- Use a nail set to avoid damage to the top.
- Apply colored wood putty to nail holes, then lightly wipe away excess putty.
- NOTE: You may see gaps between the top and wall. This is due to "waves" in your sheetrock and not the mantle top. You can caulk and paint these gaps, or scribe them by placing cove mould along the top of your mantle.

